

INSTRUMENT PANEL LED PANELS - REMOVAL/INSTALLATION

1. General

- A. This section provides removal and installation instructions for the Instrument Panel LED Panels. The instrument panel LED panels include, the left switch panel, the environmental panel LED panel, the Avionics Circuit breaker LED panel and the Alternate Static Panel LED panel. For more data applicable to the flight compartment LED lights refer to LED Flight Compartment Lighting - Description and Operation.

2. Avionics Circuit Breaker Panel LED Panel Removal/Installation

- A. Remove the Avionics Circuit Breaker Pane LED Panel (UI003) (Refer to Figure 401).

CAUTION: Be careful when you hold the LED panel. If you are not careful, damage to the panel can occur.

- (1) Remove external electrical power from the airplane.
- (2) Make sure that the BATTERY switch (SC005), found on the circuit breaker switch panel, is set to the OFF position.
- (3) Make sure that the EXTERNAL POWER switch (SC006), found on the circuit breaker switch panel is set to the OFF position.
- (4) Remove the left circuit breaker LED panel.
 - (a) If necessary remove the hardware that attach switches to the LED and circuit breaker panel assembly.
 - (b) Remove the screws that attach the LED panel to the circuit breaker panel.
 - (c) Carefully move the LED panel sufficiently to get access to the electrical connector.
 - 1 Disconnect electrical connector PI009 from electrical connector JI009.
 - (d) Remove the LED panel the from airplane.

- B. Install the LED Panel (UI003) (Refer to Figure 401).

CAUTION: Be careful when you hold the LED panel. If you are not careful, damage to the panel can occur.

- (1) Carefully move the LED panel near the circuit breaker panel assembly.
 - (a) Connect electrical connector PI009 to electrical connector JI009.
 - (b) Put the LED panel in its correct position on the circuit breaker panel assembly.
 - 1 Install the screws that attaches the LED panel to the circuit breaker.
 - 2 If removed install hardware necessary to attach switches to the LED and circuit breaker panel.
- (2) Do a check of the avionics circuit breaker panel LED panel. Refer to LED Flight Compartment Lighting - Adjustment/Test.

3. Environmental Panel LED Panel Removal/Installation

- A. Remove the Environmental Panel LED Panel (UI004) (Refer to Figure 401).

CAUTION: Be careful when you hold the LED panel. If you are not careful, damage to the panel can occur.

- (1) Remove external electrical power from the airplane.
- (2) Make sure that the BATTERY switch (SC005), found on the circuit breaker switch panel, is set to the OFF position.
- (3) Make sure that the EXTERNAL POWER switch (SC006), found on the circuit breaker switch panel is set to the OFF position.
- (4) Remove the left circuit breaker LED panel.
 - (a) If necessary remove the hardware that attach switches to the LED and switch panel.
 - (b) Remove the screws that attach the LED panel to the instrument panel.
 - (c) Carefully move the LED panel sufficiently to get access to the electrical connector.
 - 1 Disconnect electrical connector PI010 from electrical connector JI010.
 - (d) Remove the LED panel the airplane.

- B. Install the LED Panel (UI004) (Refer to Figure 401).

CAUTION: Be careful when you hold the LED panel. If you are not careful, damage to the panel can occur.

- (1) Carefully move the LED panel near the instrument panel assembly.
 - (a) Connect electrical connector PI010 to electrical connector JI010.

- (b) Put the LED panel in its correct position on the instrument panel.
 - 1 Install the screws that attaches the LED panel to the instrument panel.
 - 2 If removed install hardware necessary to attach switches to the LED and instrument panel.
- (2) Do a check of the environmental LED panel. Refer to LED Flight Compartment Lighting - Adjustment/Test.

4. Left Switch Panel LED Panel Removal/Installation

- A. Remove the Left Switch Panel LED Panel (UI001) (Refer to Figure 401).

CAUTION: Be careful when you hold the LED panel. If you are not careful, damage to the panel can occur.

- (1) Remove external electrical power from the airplane.
- (2) Make sure that the BATTERY switch (SC005), found on the circuit breaker switch panel, is set to the OFF position.
- (3) Make sure that the EXTERNAL POWER switch (SC006), found on the circuit breaker switch panel is set to the OFF position.
- (4) Remove the LED panel.
 - (a) If necessary remove the hardware that attach switches to the LED and switch panel.
 - (b) Remove the screws that attach the LED panel to the left switch panel.
 - (c) Carefully move the LED panel sufficiently to get access to the electrical connector.
 - 1 Disconnect electrical connector PI007 from electrical connector JI007.
 - (d) Remove the LED panel from the airplane.

- B. Install the LED Panel (UI001) (Refer to Figure 401).

CAUTION: Be careful when you hold the LED panel. If you are not careful, damage to the panel can occur.

- (1) Carefully move the LED panel near the circuit breaker assembly.
 - (a) Connect electrical connector PI007 to electrical connector JI007.
 - (b) Put the LED panel in its correct position on the switch panel assembly.
 - 1 Install the screws that attaches the LED panel to the left switch panel.
 - 2 If removed install hardware necessary to attach switches to the LED and switch panel
- (2) Do a check of the left switch LED panel. Refer to LED Flight Compartment Lighting - Adjustment/Test.

5. Alternate Static LED Panel Removal/Installation

- A. Remove the LED Panel (UI002) (Refer to Figure 401).

CAUTION: Be careful when you hold the LED panel. If you are not careful, damage to the panel can occur.

- (1) Remove external electrical power from the airplane.
- (2) Make sure that the BATTERY switch (SC005), found on the circuit breaker switch panel, is set to the OFF position.
- (3) Make sure that the EXTERNAL POWER switch (SC006), found on the circuit breaker switch panel is set to the OFF position.
- (4) Remove the left circuit breaker LED panel.
 - (a) If necessary remove the hardware that attach switches to the LED and switch panel.
 - (b) Remove the screws that attach the LED panel to the instrument panel.
 - (c) Carefully move the LED panel sufficiently to get access to the electrical connector.
 - 1 Disconnect electrical connector PI008 from electrical connector JI008.
 - (d) Remove the LED panel the airplane.

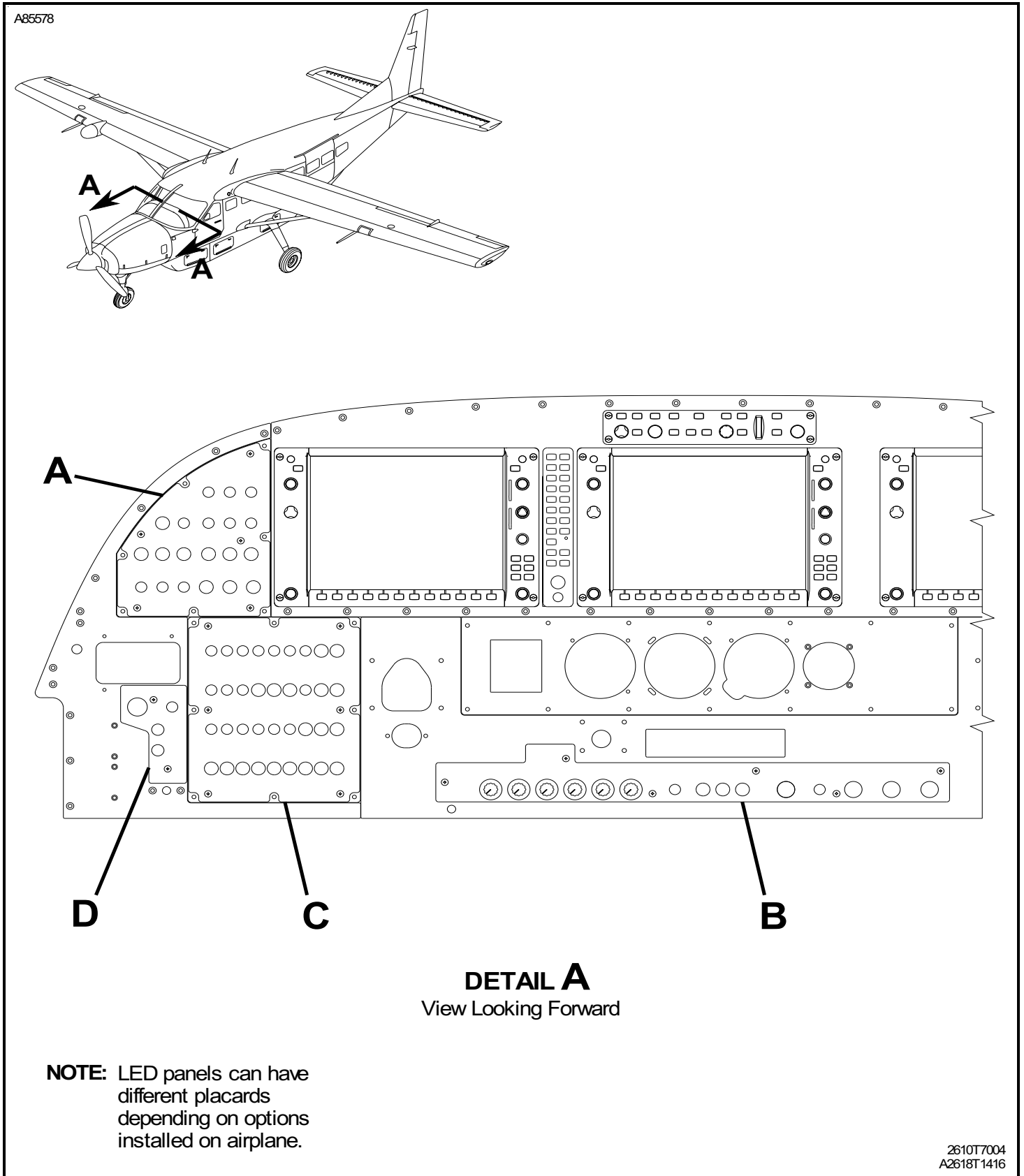
- B. Install the LED Panel (UI002) (Refer to Figure 401).

CAUTION: Be careful when you hold the LED panel. If you are not careful, damage to the panel can occur.

- (1) Carefully move the LED panel near the instrument panel.
 - (a) Connect electrical connector PI008 to electrical connector JI008.
 - (b) Put the LED panel in its correct position on the instrument panel.
 - 1 Install the screws that attaches the LED panel to the instrument panel.
 - 2 If removed, install hardware necessary to attach switches to the LED and instrument panel.

(2) Do a check of the alternate static LED panel. Refer to LED Flight Compartment Lighting - Adjustment/Test.

Figure 401 : Sheet 1 : Instrument Panel LED Panel Installation

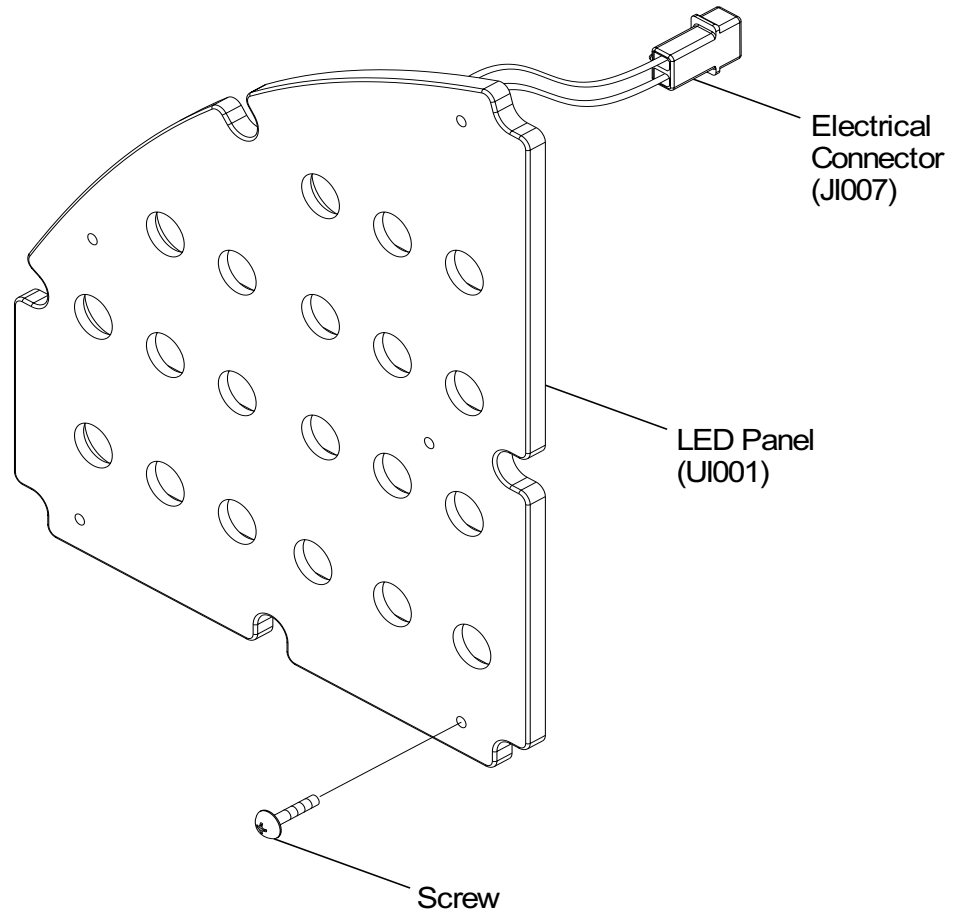


NOTE: LED panels can have different placards depending on options installed on airplane.

2610T7004
A2618T1416

Figure 401 : Sheet 2 : Instrument Panel LED Panel Installation

A85579



DETAIL A
Left Switch Panel



A2618T1458

Figure 401 : Sheet 3 : Instrument Panel LED Panel Installation

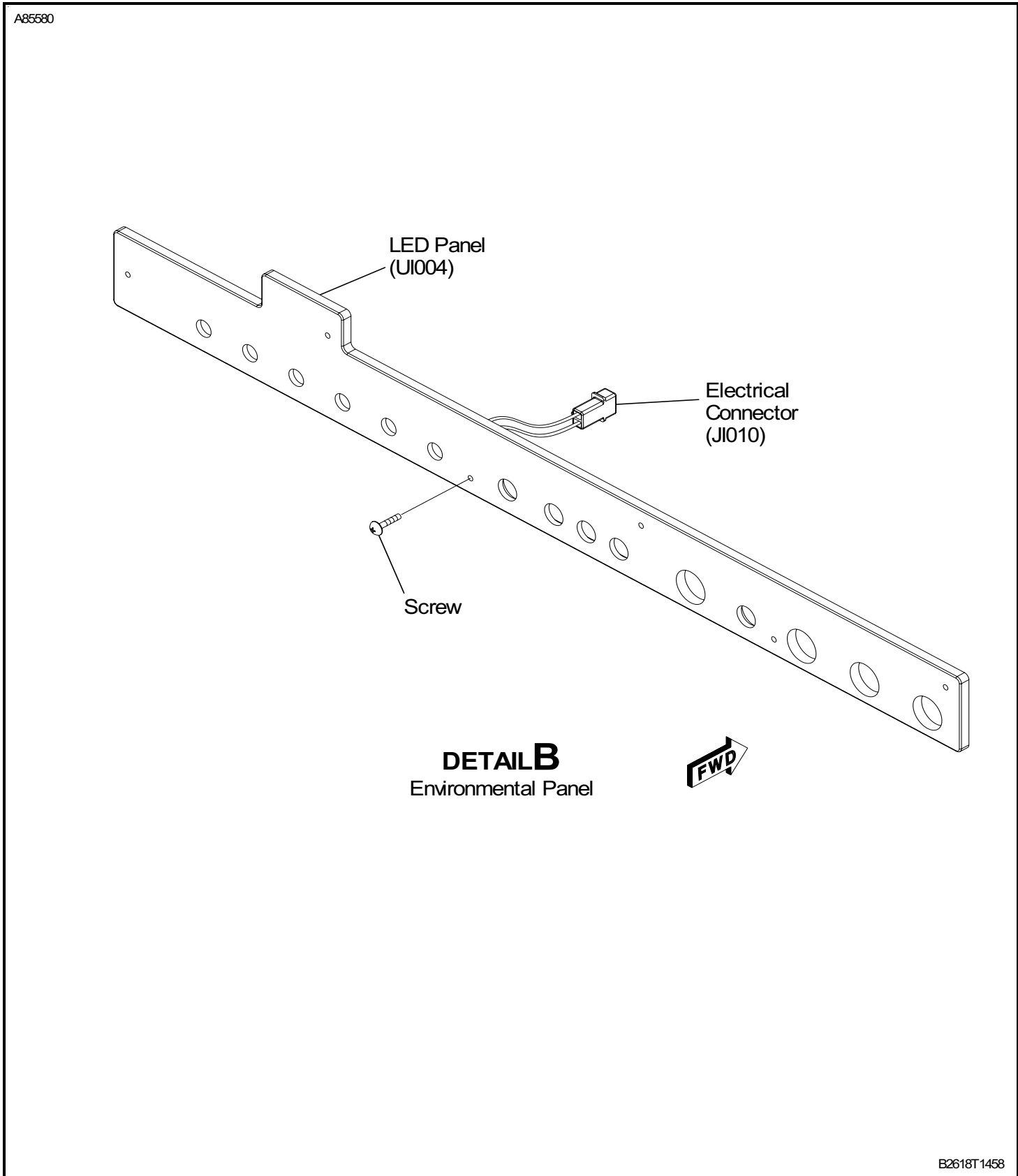


Figure 401 : Sheet 4 : Instrument Panel LED Panel Installation

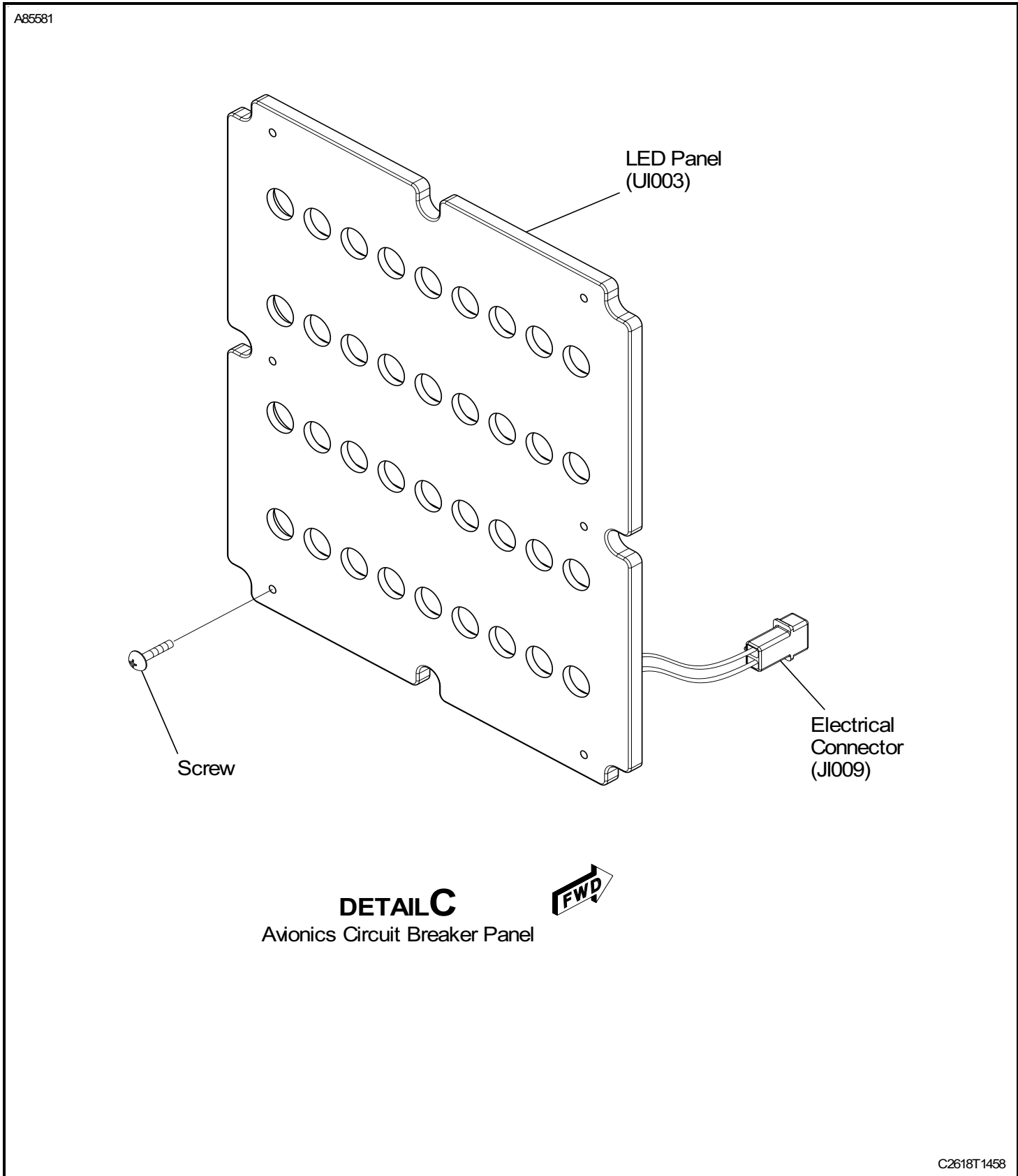
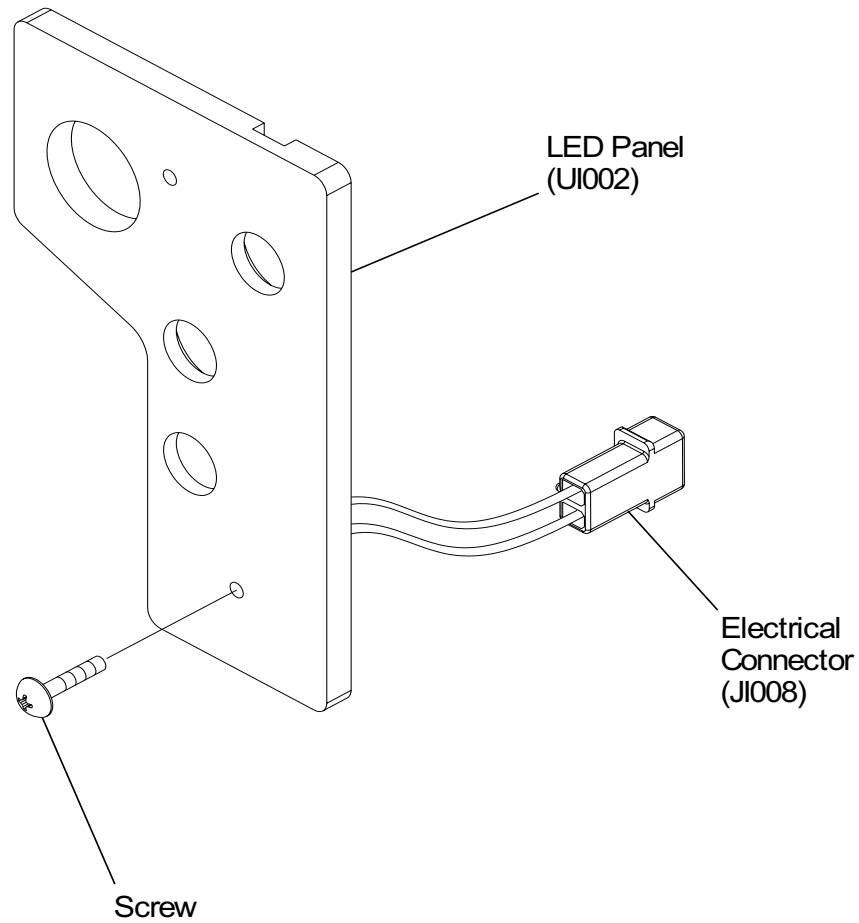


Figure 401 : Sheet 5 : Instrument Panel LED Panel Installation

A85582



DETAIL D
Alternate Static Panel



D2618T1458